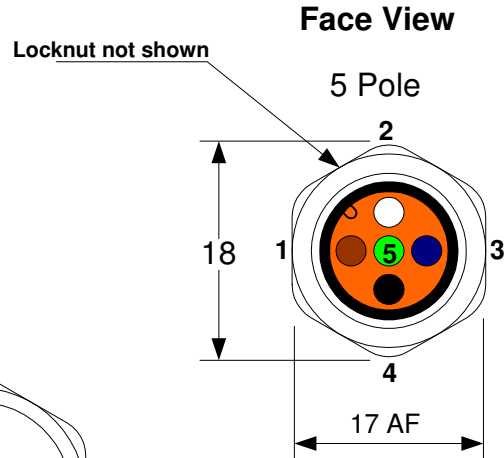


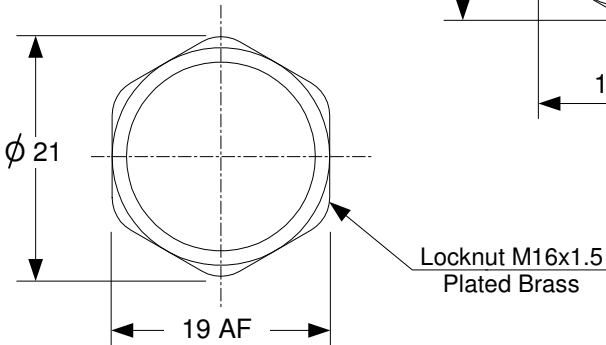


Data Sheet Number KA-DATA-008

A-Coded M12 Female Custom Receptacle (M16X1.5 Panel Mount Thread)

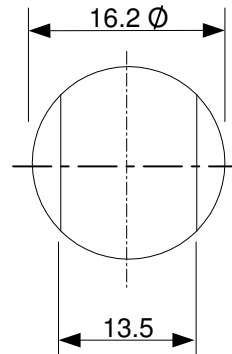
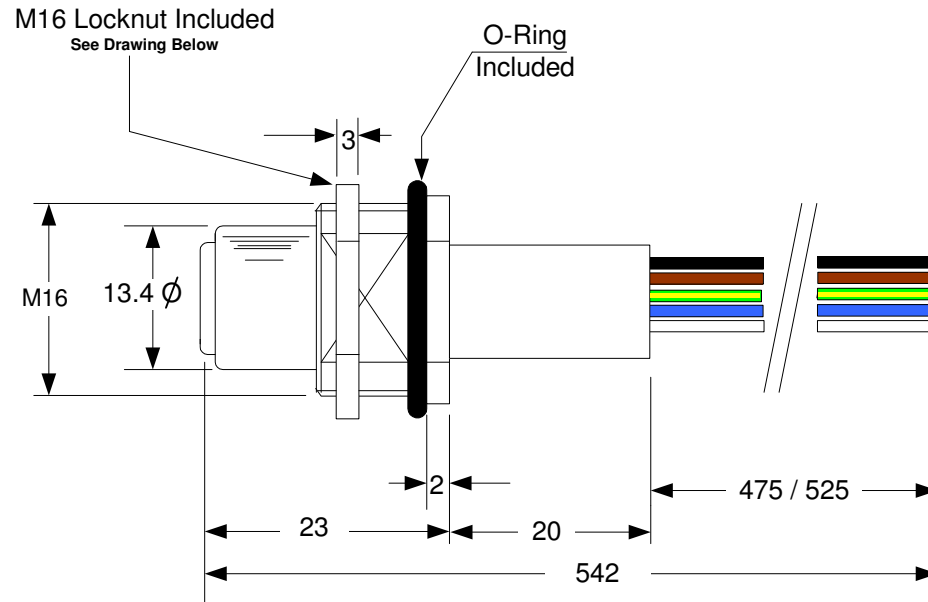


- 1: Brown
- 2: White
- 3: Blue
- 4: Black
- 5: Yellow / Green



Material Specification:

Body: Brass, bright nickel plated
 Insert: PU R3000
 Contact: Brass, Gold over Nickel Plated
 Wires: PVC 0.50mm Stranded
 O-Ring: Internal 'Viton'
 O-Ring: External 'Nitrile'
 Resin: PU Composite



Panel Cutout M16

Electrical Specification:

Protection: IP68
 Operating Voltage: 250 VAC / VDC
 Current: 4 Amps
 Operating Temperature: -20C to +80C

Product Number CRM12OEMFI002

Note:

All Dimensions are for Reference Only

Rev	Rev	Rev	Rev	Rev
1	xxx	xxx	xxx	xxx

KA-DATA-008

Knect Assemblies Ltd
First Avenue, Trecenydd,
Caerphilly. CF83 2SD Tel: +2920 881130



**M12 Panel Mount Custom Female A Code 5 pole
OEM Finland**

Drawn By: Jeff Reynolds
 Date: 11/06/2010