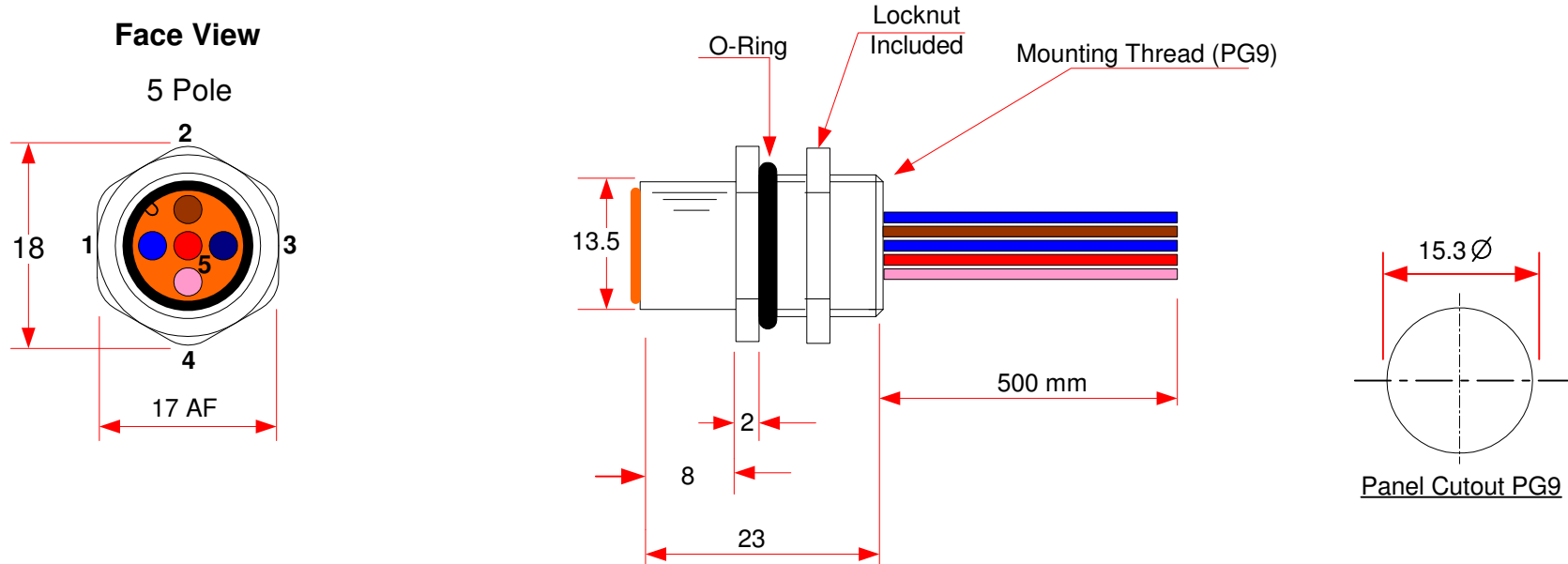




Data Sheet Number KA-DATA-013 A-Coded M12 Female Receptacle (PG9 Mounting Thread)



- 1: Blue
- 2: Brown
- 3: Blue
- 4: Pink
- 5: Red

Material Specification:

Body: Brass, bright nickel plated
 Insert: PU R3000
 Contact: Brass, Gold over Nickel Plated
 Wires: PVC 0.34mm Stranded
 O-Ring: Internal 'Viton'
 O-Ring: External 'Nitrile'
 Resin: PU Composite

Electrical Specification:

Protection: IP68
 Operating Voltage: 60 VAC / VDC
 Current: 4 Amps
 Operating Temperature: -20C to +80C

Note:

All Dimensions are for Reference Only

Rev	Rev	Rev	Rev	Rev
A	xxx	xxx	xxx	xxx
Knect Assemblies Ltd				
First Avenue, Trecenydd, Caerphilly. CF83 2SD Tel: +2920 881130				



CRM12ARROW004

Drawn By: Jeff Reynolds
 Date: 11/08/2010

KA-DATA-013